

AV10 Heavy Duty LED Obstruction Light Fixture



CERTIFICATIONS
AV10 Solar Obstruction Light
Meets requirements of Low Intensity Type A Obstruction Light, ICAO Annex 14 volume 1, "Aerodrome Design and Operations", Forth edition July 2004.



The AV10 low intensity LED obstruction light complies with ICAO requirements for obstructions whereby the height does not exceed 45m.

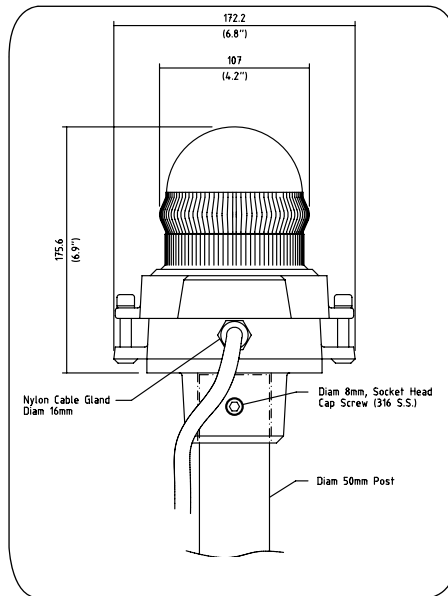
The light uses 20 ultra-high intensity red LEDs as a light source and has an output of >20cd. In addition, the AV10 uses the 360 degree LED Reflector (U.S. Pat. No. 6,667,582 and AU Pat. No. 778,918) which increases the intensity and uniformity of the horizontal output.

Housed in a 7-stage powder coated cast aluminium case, the AV10 will provide years of zero-maintenance service, and is available in 12v, 24v, 48v, 110v or 240v.



Available in a variety of housing colors

AV10 Heavy Duty LED Obstruction Light Fixture



SPECIFICATIONS •

Light Characteristics

Light Source	20 ultra-high intensity LEDs
Light Color	Red
Intensity	26cd
Horizontal Output	360 degrees
Vertical Divergence	9 degrees
Flash Settings	Steady-on
Lamp Life	100,000 hours

Electrical Characteristics

Current Draw	180mA nominal
Circuit Protection	Polarity protected
Operating Voltage	12v, 24v, 48v, 110v, 240v

Physical Characteristics

Body Material	7-stage powdercoated aluminium
Lense Material	U.V. stabilised / optical grade polycarbonate
Mounting	50mm OD pole. Optional base plate.
Height (cm/inches)	17.6/6.9
Width (cm/inches)	17.2/6.8
Mass (Kg/lbs)	1.6/3.52

Certifications

CE	EN61000-6-3:1997, EN61000-6-1:1997
Quality Assurance	ISO9001:2000
Waterproof	IP68

Intellectual Property

Patents	US Pat. No. 6,667,582. AU Pat. No. 778,918
Trademarks	AVLITE is a trademark of Avlite Systems



• Specifications subject to change or variation without notice