

SLC400 Compact 4nm Solar Marine Lantern

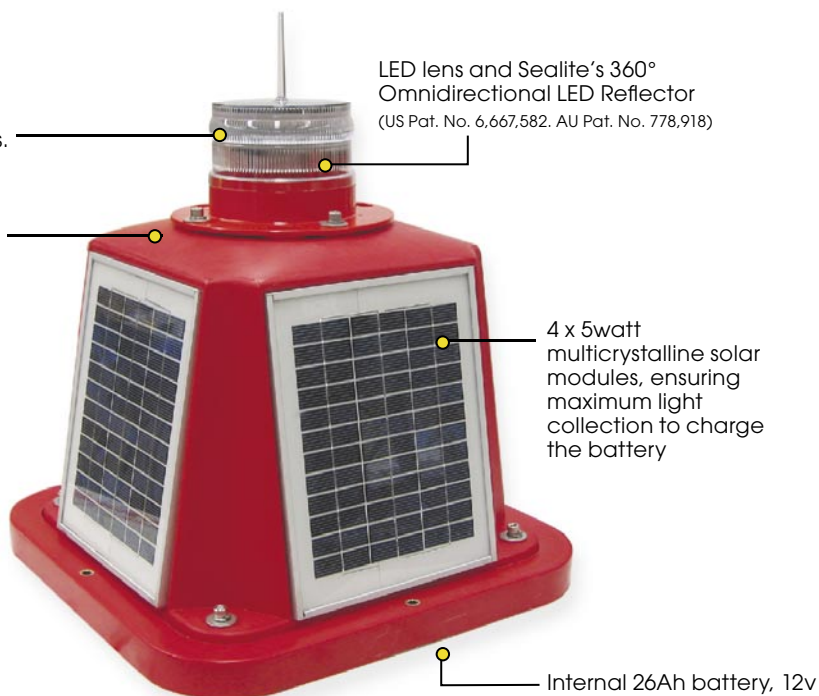
This equipment complies with requirements of the U.S. Coast Guard in 33 CFR part 66

SL125-1 light-head (36 ultra-high intensity LEDs. IP68 rating)

LED lens and Sealite's 360° Omnidirectional LED Reflector (US Pat. No. 6,667,582. AU Pat. No. 778,918)

Rotationally moulded UV stabilised virgin polyethylene body, in high visibility colours

4 x 5watt multicrystalline solar modules, ensuring maximum light collection to charge the battery



Internal 26Ah battery, 12v

The Sealite Advantage

- Complete unit - ready for immediate installation
- 4 x 5watt solar modules
- 26Ah battery
- High-visibility colours
- Impact / weather resistant polyethylene

The SLC400 is a completely self-contained 4nm Solar LED Marine Lantern designed for a range of low-maintenance applications.

The light boasts a large internal waterproof battery compartment, a 36 LED flasher unit, and 4 premium-grade 5watt solar modules mounted to collect sunlight at all angles.

The SLC400 is moulded from UV stabilised virgin polyethylene, providing enormous impact and weather resistance, in addition to high visibility IALA colours.

The tough polycarbonate lens is specifically designed for use with LEDs, and incorporates an environment-friendly spike - deterring unwelcome bird life.

The user-friendly 2-piece design allows the lantern to be opened for convenient battery inspection or replacement whilst the base remains fixed to the supporting structure.

The SLC400 is also available with internal GPS Synchronisation (SLC400-GPS).



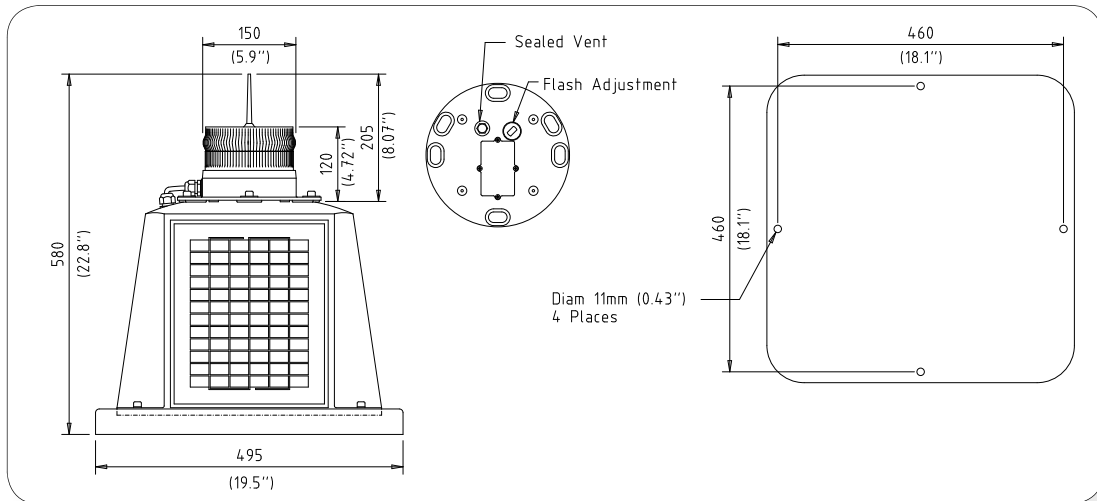
Head Office:
Sealite Pty Ltd
AUSTRALIA

Ph. +61 3 5977 6128
Fax. +61 3 5977 6124
Internet: www.sealite.com.au
Email: info@sealite.com.au

USA Customers;
Sealite USA
USA (Gilford, NH)

Ph. (603) 524-6066
Fax. (603) 524-8100
Internet: www.sealiteusa.com
Email: info@sealiteusa.com

SLC400 Compact 4nm Solar Marine Lantern



SPECIFICATIONS •

Light Characteristics

Light Source	SL125-1 (36 LED lantern as standard)
Available Colours	Red, Green, White, Yellow, Blue
Peak Intensity (cd)	>60
Visible Range (nm)	>4
Horizontal Output (degrees)	360
Vertical Divergence (degrees)	9
Reflector Type	Omnidirectional 360° LED Reflector (US Pat. No. 6,667,582. AU Pat. No. 778,918)
Available Flash Characteristics	Up to 256 IALA recommended (user adjustable)
Intensity Adjustments	Adjustable in 25% increments
LED Life Expectancy (hours)	100,000

Electrical Characteristics

Current Draw (mA)	Red, Yellow - 315 Green, White - 240
Circuit Protection	Integrated
Operating Voltage (v)	12
Autonomy (days)	>30 (14 hour darkness, 12.5% duty cycle)

Solar Characteristics

Solar Module Type	Multicrystalline
Output (watts)	20 (4 x 5watt)
Solar Module Efficiency (%)	14
Charging Regulation	Microprocessor controlled

Power Supply

Battery Type	SLA (Sealed Lead Acid)
Battery Capacity (Ah)	26
Nominal Voltage (v)	12

Physical Characteristics

Body Material	Rotationally moulded UV stabilised virgin polyethylene
Lens Material	LEXAN® Polycarbonate - UV stabilised
Lens Diameter (mm/inches)	150 / 5 ⁷ / ₈
Lens Design	External optics with interior flute design
Mounting	4 x 11mm mounting holes
Height (mm/inches)	580 / 22 ³ / ₄
Width (mm/inches)	495 / 19 ¹ / ₂
Mass (kg/lbs)	17 / 37 ³ / ₈
Product Life Expectancy	Up to 12 years

Certifications

CE	EN61000-6-3:1997. EN61000-6-1:1997
Quality Assurance	ISO9001:2000
Waterproof	IP68 light-head

Intellectual Property

Patents	US Pat. No. 6,667,582. AU Pat. No. 778,918
Trademarks	SEALITE® is a registered trademark of Sealite Pty Ltd

Warranty

3 years

Options Available

- 200mm OD mounting plate
- Hard wire or GPS synchronisation
- Remote monitoring

CE

• Specifications subject to change or variation without notice

Head Office:
Sealite Pty Ltd
AUSTRALIA

Ph. +61 3 5977 6128
Fax. +61 3 5977 6124
Internet: www.sealite.com.au
Email: info@sealite.com.au

USA Customers;
Sealite USA
USA (Gilford, NH)

Ph. (603) 524-6066
Fax. (603) 524-8100
Internet: www.sealiteusa.com
Email: info@sealiteusa.com

